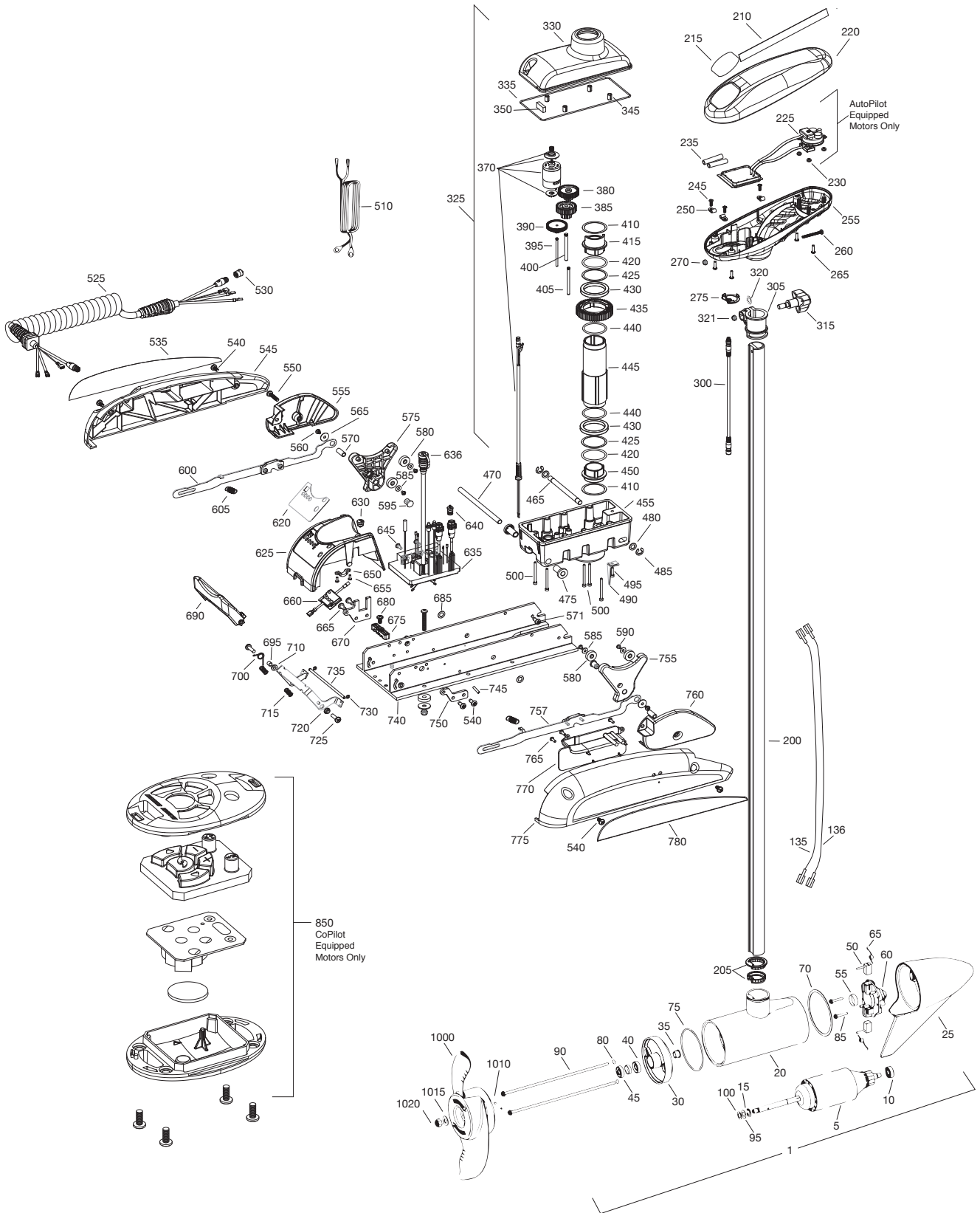


PARTS DIAGRAM

for use with "Q" serial numbers 2-year warranty

RIPTIDE TERROVA 55

55 LBS THRUST - 12 VOLT - 50AMPS - 48"/54" SHAFT



PARTS LIST

RIPTIDE ST 55

55 LBS THRUST - 12 VOLT - 48"/54" SHAFT

ITEM	QTY	PART NUMBER	DESCRIPTION
1	1	2779030	12V MOTOR 48" SW
	1	2779031	12V MOTOR 54" SW
5	1	2-100-146	ARMATURE ASSEMBLY
10	1	140-010	BEARING
15	1	788-015	RETAINING RING
20			INCLUDED IN #200 ASSEMBY
25	1	421-350	BRUSH END HOUSING ASSEMBLY STD
30	1	2-400-337	PLAIN END HOUSING ASSEMBLY
35	1	144-049	FLANGE BEARING
40	1	880-003	SEAL
45	1	880-006	SEAL WITH SHIELD
50	2	188-036	BRUSH
55	1	725-050	PAPER TUBE
60	1	738-036	BRUSH PLATE ASSEMBLY
65	2	975-040	BRUSH SPRING
70	1	337-036	GASKET
75	1	701-081	O-RING, MOTOR
80	2	701-008	O-RING, THRU-BOLT
85	2	830-007	SCREW, 8-32
90	2	830-008	THRU-BOLT
95	2	990-067	WASHER, STEEL
100	2	990-070	WASHER, NYLATRON
135	1	640-009	LEADWIRE, BLACK
136	1	640-108	LEADWIRE, RED
200	1	2779305	TUBE, COMPOSITE 54" SW
205			INCLUDED IN #200 ASSEMBY
210	2	2325666	DECAL, COVER
215	1	2325685	DECAL, CTRL BOX 55 RT
	1	2325682	DECAL, CTRL BOX 55 RT AUTOPILOT
220	1	2320201	COVER, CTRL BOX
225	1	2324032	CTRL BOARD, COMPASS, AUTOPILOT ONLY
230	3	2302960	GROMMET, COMPASS, AUTOPILOT ONLY
235	2	2305415	WIRE INSULATOR
245	3	2372100	SCREW, 8-18 X .625
250	3	2052510	CABLE CLAMP
255	1	2322501	CTRL BOX
260	1	2332102	SCREW, 10-24
265	4	2372100	SCREW, 8-18 X .625
270	1	2333101	NUT, 10-24
275	1	2224703	PLUG, CTRL BOX - SMALL HOLE - I-PILOT
	1	2224702	PLUG, CTRL BOX - NO HOLE - STANDARD
	1	2224705	PLUG, CTRL BOX - LARGE HOLE - LINK
305	1	2771500	DEPTH COLLAR ASSEMBLY
315	1	2260906	KNOB (INCLUDED IN #305)
320	1	2321706	WASHER (INCLUDED IN #305)
321	1	2323102	NUT (INCLUDED IN #305)
325	1	2997052	STEERING HOUSING
330	1	2326502	STEERING HOUSING TOP
335	1	2324604	O-RING, CASE SEAL

ITEM	QTY	PART NUMBER	DESCRIPTION
345	4	2302605	ROLL PIN 5/16
350	1	2308601	BREATHER, FILTER
360	1	2302240	PINION GEAR
365	1	2300265	CAP, MOTOR, PLASTIC
370	1	2777055	MOTOR, STEERING, 12V
380	1	2302255	GEAR, CLUSTER 3RD STAGE
385	1	2302250	GEAR, CLUSTER 2ND STAGE
390	1	2302245	GEAR, CLUSTER 1ST STAGE
395	1	2302610	SHAFT, GEAR 1ST STAGE
400	1	2302620	SHAFT, GEAR 3RD STAGE
405	1	2302615	SHAFT, GEAR 2ND STAGE
410	2	2321704	WASHER, THRUST
415	2	2321515	LINER, OUTPUT TUBE
420	2	2324608	O-RING, 224
425	2	2321720	SHIM, O-RING
430	2	2327315	BUSHING, ALUMINUM SPACER
435	1	2322200	GEAR, OUTPUT
440	2	2327314	BUSHING, PRO STEERING SW
445	1	2322031	TUBE, OUTPUT MACHINED
450	1	2321510	COLLAR, DRIVE, BOTTOM
455	1	2326507	STEERING HOUSING, BOTTOM
460	1	2320605	LEADWIRE, STEERING
465	1	2322601	PIN, LATCH, 55
470	1	2322603	PIN, PIVOT, 55
475	2	2327310	BUSHING, PIVOT PIN
480	2	2321702	WASHER, FLAT .375
485	2	2263011	E-RING .375
490	2	2322702	SPRING, LATCH PIN
495	1	2323410	SCREW, 8-32 X .75
500	7	2323408	SCREW, 8-32 X 2
510	1	2090651	LEADWIRE, 10 GA
515	4	2305403	SHRINK TUBE - .5 ID X 1.0 ADHESIVE
520	3	2305410	SHRINK TUBE - .315 OD X 2.25"
521	1	2305415	SHRINK TUBE - .472 OD X 2.25"
525	1	2991273	COIL CORD, 48"
	1	2991271	COIL CORD, 54"
530	1	2320202	CAP, DUST, COIL CORD, NON-AP ONLY
535	1	2325643	DECAL, SIDEPLATE, LEFT
540	4	2323405	SCREW, 1/4-20
545	1	2321916	SIDEPLATE, LEFT
550	2	2323403	SCREW, 1/4-20 X .375 SS
555	1	2321925	SKID, LEFT
560	2	2323422	SCREW, 10-24 X .375
565	2	2321700	WASHER, #10 SS
570	2	2322921	BOLT, SHOULDER
571	2	2323405	STAND-OFF, ALUMINUM ANODIZED
575	1	2323915	RAMP, 3 5/8" LEFT
580	4	2325117	PAD, RUBBER REST
585	4	2321706	WASHER, #8
590	4	2323412	SCREW, 8-18 X .25

PARTS LIST

RIPTIDE ST 55 55 LBS THRUST - 12 VOLT - 48"/54" SHAFT

ITEM	QTY	PART NUMBER	DESCRIPTION
595	2	2324706	INSERT, RAMP
600	1	2994203	ARM, RELEASE, LEFT
605	2	2322710	SPRING, EXTENSION
■	1	2770251	COVER, SPEED CONTROL WITH DECAL
620	1	2325651	DECAL, SPEED CONTROL
625	1	2320211	COVER, SPEED CONTROL
630	1	2322901	STRAIN RELIEF
635	1	2324022	CONTROL BOARD, 12V
■		2884050	SWITCH-REED REPAIR KIT
636	1	2320208	DUST PLUG
640	1	2320203	CAP, DUST, CONTROL BOARD
645	2	2323406	SCREW, 10-24 X
650	1	2321315	HOLDER, CONNECTOR
655	2	2332103	SCREW, 6-20 X .375
660	1	2074080	BATTERY METER, 12V
665	4	2323402	SCREW, 1/4-20 X .375
670	1	2321941	BRACKET, STRAIN RELIEF
675	1	2321310	STRAIN RELIEF, WIRE
680	1	2323405	SCREW, 1/4-20 X .5
685	2	2333100	SPEED NUT, .375
690	1	2320216	HANDLE, RELEASE COVER
695	1	2301700	BUSHING,
700	1	2322701	SPRING, RELEASE HANDLE
710	1	2320401	HANDLE, RELEASE SW
715	2	2322712	SPRING, RELEASE HANDLE
720	2	2322604	BUSHING, HANDLE

ITEM	QTY	PART NUMBER	DESCRIPTION
725	2	2332104	SCREW, 1/4-20 X .625
730	2	2323000	E-CLIP, 3/16, SS
735	1	2322607	PIN, FOLLOWER, HANDLE
740	1	2321906	BASE EXTRUSION, MACHINED, SW
745	2	2322912	SPRING PIN,
750	1	2321951	BRACKET, SIDEPLATE
755	1	2323910	RAMP, 3 5/8" RIGHT
757	1	2994201	ARM, RELEASE, RIGHT
760	1	2321920	SKID, RIGHT
765	3	2301310	SCREW, 8-18 X .5
770	1	2370221	COVER, ACCESS, SW
772	1	2374197	COPILOT RECIEVER BOARD
775	1	2321911	SIDEPLATE, RIGHT, SW
780	1	2325642	DECAL, SIDEPLATE, RIGHT
850	1	2994095	REMOTE ASSEMBLY
851	1	2372502	CASE, COVER, TRANSMITTER
860	1	2375112	KEYPAD, TRANSMITTER
865	1		TRANSMITTER BOARD
870	1		BATTERY, TRANSMITTER
875	1	2372505	CASE, BOTTOM, TRANSMITTER
880	4	2373440	SCREW, 4-24
■	1	1378131	PROPELLER KIT WW2
■		2994875	PROPELLER BAG ASSY
1000	1	2091160	PROPELLER WW2
1010	1	2092600	DRIVE PIN, 1.06" LG SS
1015	1	2151726	WASHER, PROP, SMALL
1020	1	2198400	NUT, ANODE, NYLOCK, PROP, SMALL
■		2994864	MOUNTING HARDWARE BAG ASSY
■		2888460	SEAL & ORING KIT

■ THIS ITEM IS PART OF AN ASSEMBLY.

*THIS ITEM IS PART OF A KIT AND ONLY LISTED FOR VIEWING PURPOSES.

MOTOR WIRING DIAGRAM

NOTE: This is a universal, multi-voltage diagram. Double check your motor's voltage for proper connections. Over-Current Protection Devices not shown in this illustration.

Riptide Terraova 55 is 12-volts only!

